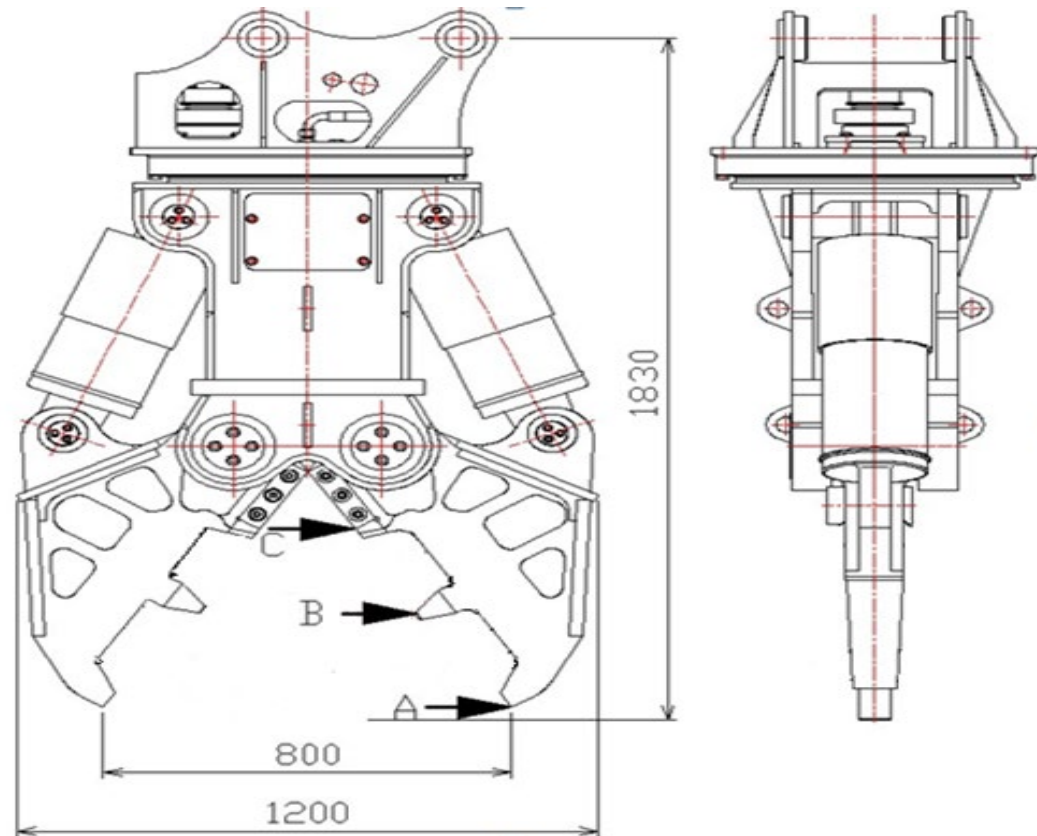


# AMC15 SPECIFICATION

Item		Spec.
Operating Weight	kg	1,190
	lb	2,618
Overall Length	mm	1,830
	Inch	72.05
Overall Width	mm	1,200
	Inch	47.24
Max. Opening Width	mm	800
	Inch	31.49
Cutter Length	mm	180
	Inch	7.09
Crushing Force	ton (A)	57
	ton (B)	100
Cutting Force	ton (C)	290
Operating Pressure	kg/cm <sup>2</sup>	280
	psi	3,983
Oil Flow Rate	LPM	140 ~ 200
	GPM	36.9 ~ 52.8
Suitable Excavator	ton	12 ~ 18



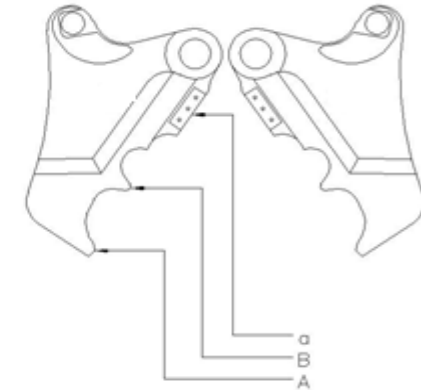
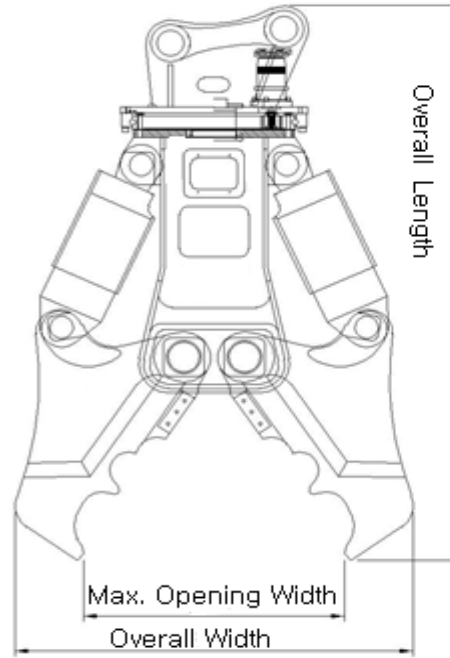
## Arm Speed

Opening / Closing Normal Time	Opening (sec)	1.96
	Closing (sec)	3.50
	Total Cycle (sec)	5.25
Opening / Closing Speed-Up Time	Opening (sec)	1.96
	Closing (sec)	1.75
	Total Cycle (sec)	3.71
Based Oil Flow	LPM	170

\* This will follow in equipment efficiency and there is a possibility which there will be a difference.

# AMC21 SPECIFICATION

구분 / Item		사양 / Spec.
Operating Weight	kg	1,680
	lb	3,704
Overall Length	mm	2,128
	Inch	83.78
Overall Width	mm	1,354
	Inch	53.31
Max. Opening Width	mm	886
	Inch	34.88
Cutter Length	mm	180
	Inch	7.09
Crushing Force	ton (A)	57
	ton (B)	85
Cutting Force	ton (a)	183
Operating Pressure	kg/cm <sup>2</sup>	300
	psi	4,226
Oil Flow Rate	LPM	200 ~ 250
	GPM	52.8 ~ 66.1
Speed-Up Valve		Option
Suitable Excavator	ton	18 ~ 26
Motor Setting Pressure	kg/cm <sup>2</sup>	160
	psi	2,275
Motor Oil Flow Rate	LPM	36 ~ 40
	GPM	9.5 ~ 10.5
Revolving Speed	RPM	13 ~ 15



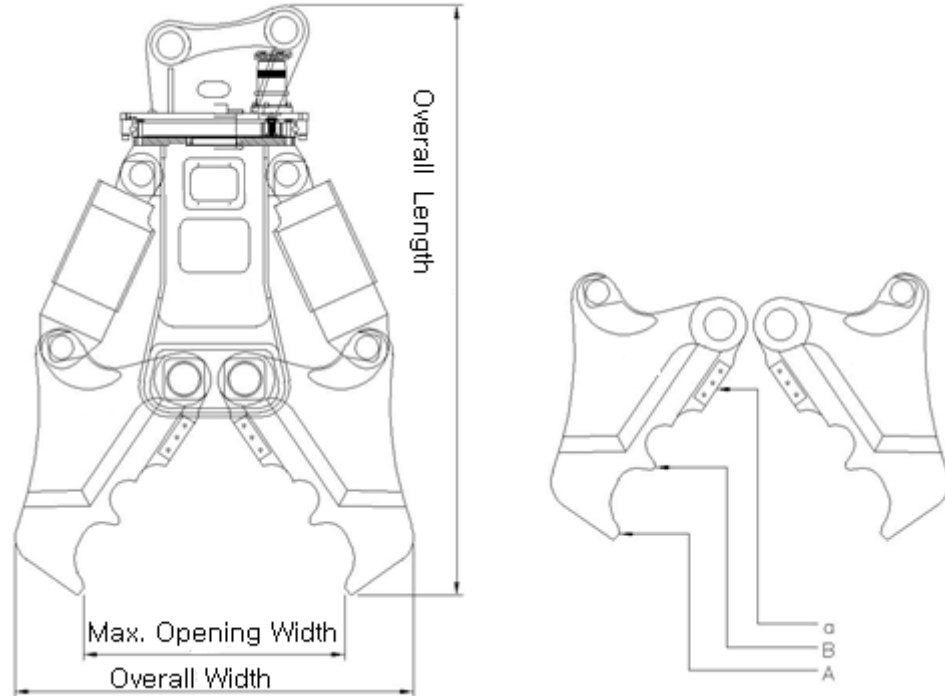
## Arm Speed

Opening / Closing Normal Time	Opening (sec)	2.62
	Closing (sec)	5.14
	Total Cycle (sec)	7.76
Opening / Closing Speed-Up Time	Opening (sec)	2.62
	Closing (sec)	2.52
	Total Cycle (sec)	5.14
Based Oil Flow	LPM	220

\* This will follow in equipment efficiency and there is a possibility which there will be a difference.

# AMC31 SPECIFICATION

구분 / Item		사양 / Spec.
Operating Weight	kg	2,630
	lb	5,798
Overall Length	mm	2,624
	Inch	103.31
Overall Width	mm	1773
	Inch	69.80
Max. Opening Width	mm	1163
	Inch	45.79
Cutter Length	mm	200
	Inch	7.87
Crushing Force	ton (A)	93
	ton (B)	135
Cutting Force	ton (a)	317
Operating Pressure	kg/cm <sup>2</sup>	320
	psi	4,550
Oil Flow Rate	LPM	250 ~ 300
	GPM	66.1 ~ 79.2
Speed-Up Valve		Option
Suitable Excavator	ton	26 ~ 32
Motor Setting Pressure	kg/cm <sup>2</sup>	160
	psi	2,275
Motor Oil Flow Rate	LPM	36 ~ 40
	GPM	9.5 ~ 10.5
Revolving Speed	RPM	13 ~ 15



## Arm Speed

Opening / Closing Normal Time	Opening (sec)	3.59
	Closing (sec)	8.50
	Total Cycle (sec)	12.09
Opening / Closing Speed-Up Time	Opening (sec)	3.59
	Closing (sec)	4.91
	Total Cycle (sec)	8.50
Based Oil Flow	LPM	260

\* This will follow in equipment efficiency and there is a possibility which there will be a difference.